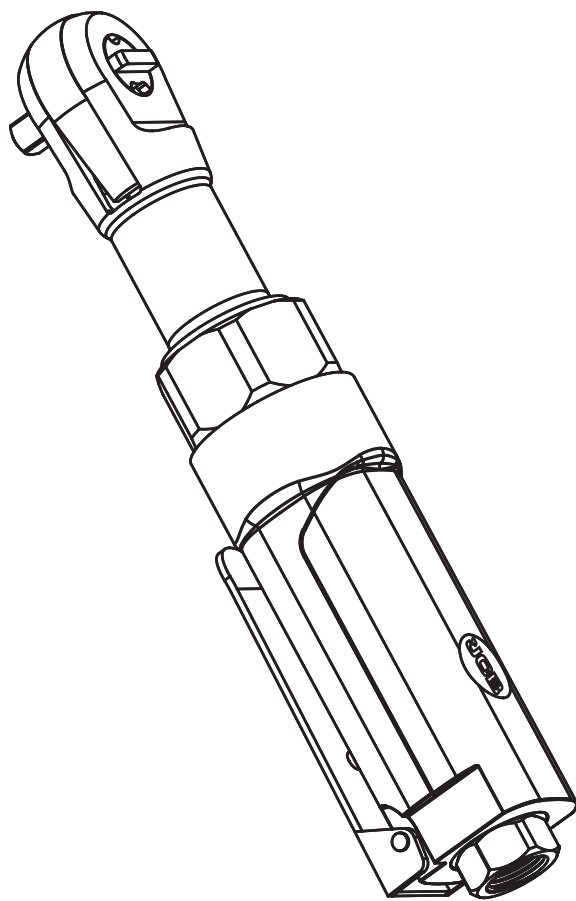


JCB

1/4" AIR RATCHET WRENCH INSTRUCTION & USER MANUAL



RP7414

Original Instructions

IM-RP7414-EN
Iss: 07/2023

EAC CE



GENERAL WARNINGS & DISPOSAL



To reduce the risk of injury, the user must read the instruction manual.



This symbol is used throughout this manual to warn the user about potential risks. Please read & understand these sections before using the device.



Caution! Wear ear-muffs. The impact of noise can cause damage to hearing.



Caution! Wear protective safety gloves.



Caution! Wear safety goggles. Sparks generated during working or splinters, chips and dust emitted by the device can cause loss of sight. wood and other materials. Never use the device to work on any materials containing asbestos!



Caution! Wear a breathing mask. Dust which is injurious to health can be generated when working on wood and other materials. Never use the device to work on any materials containing asbestos!

The month and year of manufacture can be found within the product serial number e.g. MMYYPXXAXXXXXX. Where production month (MM) and production year (YY) are included.

Contents

INTRODUCTION	4
PRECAUTIONS BEFORE USE	4
OPERATING INSTRUCTIONS	5
WORKING WITH THE TOOL	6
BASIC PROVISIONS	6
WARNING	6
COMPONENT PARTS	7
SPECIFICATIONS	7
TROUBLESHOOTING	8
DECLARATION OF CONFORMITY	9
WARRANTY STATEMENT	10-11



INTRODUCTION

Before attempting to use this product, please read this manual thoroughly and follow the instructions carefully. In doing so you will ensure the safety of yourself and that of others around you, and you can look forward to your purchase giving you long and satisfactory service. Please keep these instructions in a safe place for future reference.

PRECAUTIONS BEFORE USE

AIR PRESSURE: The air pressure of the tool during operation must be limited or less than the maximum allowable pressure. **Maximum pressure** = 90psi (6.2 atm).

AIR LINE: Use the appropriate diameter of the air hose, it is recommended to use several degrees of air purification. **Be sure to use dehumidifiers (preferably silica gel) and an oil additive, a filter drier,** because water vapor is concentrated in the air hose, which can impair the operation and power characteristics of the tool, which can subsequently damage it.

AIR HOSE: Periodically blow out the hose with a high pressure of air (before connecting the hose to the air tool). This procedure is important to prevent moisture from entering the instrument. Moisture is detrimental to the instrument, it causes rust and disrupts the internal aerodynamics of the instrument mechanism.

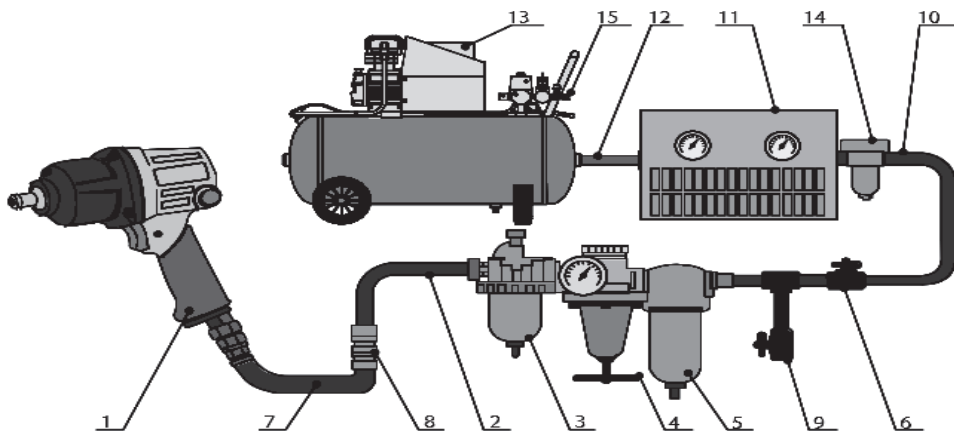
USE PERSONAL PROTECTIVE EQUIPMENT

Safety goggles, ear muffs, gloves must be worn when working with the tool.

The workplace should be well ventilated.

Use quick release adapters for convenience and to prevent injury. In extreme situations, immediately release the trigger and disconnect the tool from the pneumatic line.

Recommended option for connecting air tools



1. Air tool
2. Air hose
3. Lubricator (oil additive)
4. Pressure regulator
5. Filter
6. Stop valve
7. Air hose with fitting
8. Connector

9. Drain valve
10. Air hose
11. Air Dryer
12. Air hose
13. Compressor
14. Automatic drain valve
15. Receiver drain valve

OPERATING INSTRUCTIONS

- Air drill is designed for drilling, countersinking, reaming holes.
- Use only specially designed accessories for this machine. Only such equipment guarantees the safety of the machine.
- The permissible rotational speed of the tool must not exceed the rotational speed indicated by the maximum for this machine. Tools rotating faster than normal may crack.
- The outer diameter and thickness of the tool must be within the size ranges specified for this machine.
- Incorrectly sized attachments cannot provide adequate protection or guidance.
- The hole diameter for wheels, flanges, backing pads and other accessories must exactly match the size of the machine spindle.

WORKING WITH THE TOOL

Trigger: Allows you to turn on or off the mechanism, located under the index finger. It should be noted that after you release the trigger, the mechanism will rotate for a few more seconds.

For safety reasons, lay the tool down after it has come to a complete stop.

BASIC PROVISIONS

LUBRICATION: If no oil additive is available (as a temporary measure), 4-5 drops of engine oil per air inlet are sufficient before connecting the hose. The use of more viscous oil can lead to deterioration in performance, and the mechanism must be lubricated every 3-4 hours of operation.

STORAGE: Store the instrument in a dry, well-ventilated area. If the instrument will not be used for a long time, it is necessary to preserve it: grease the body with a thin layer of oil, pack in the enclosed package. Keep away from moisture and high temperatures.

UTILIZATION: If the tool is seriously damaged, it has reached the end of its useful life and can no longer be used. Dispose of it through the metal recycling system. Never incinerate or heat the instrument. It is hazardous to health.

ORDERING SPARE PARTS: If repairs or replacement parts are required for the instrument, contact your local representative or agent. They have everything you need to replace parts and mechanisms.

WARNING

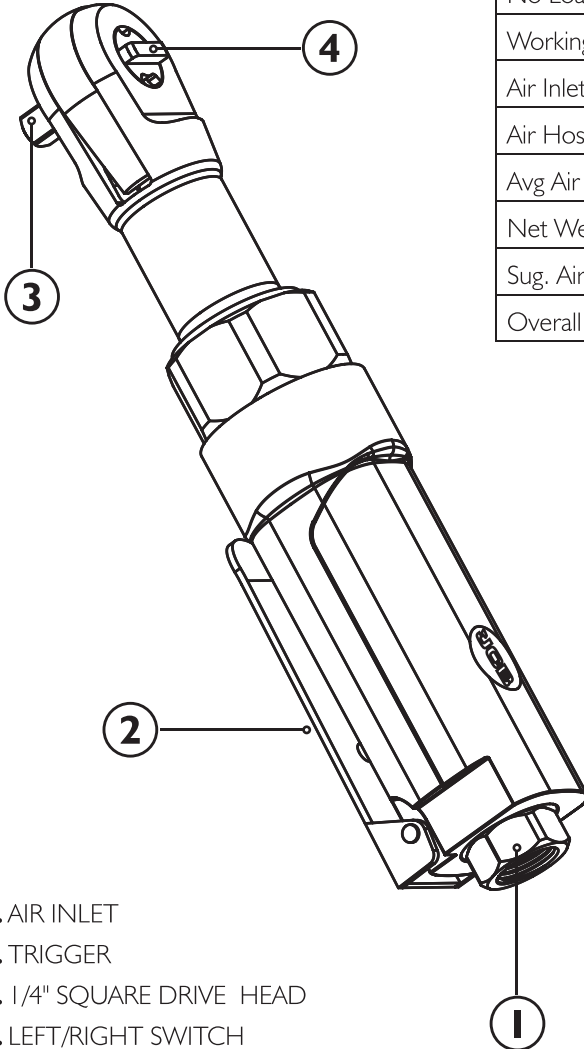
- The tool should not be used in a potentially explosive environment.
- Disconnect the air hose before replacing or adjusting any tools.
- Before using the tool, check all connections and adapters to make sure they are safe. Air hoses, which can rupture under pressure, are a serious hazard.
- It is forbidden to work without personal protective equipment (it is also dangerous to work for people with long hair, so take care of a headdress.)
- Excessively high air pressure that exceeds the maximum pressure can harm the worker and damage the tool.
- Keep your body in a well-balanced position and always wear gloves.
- Long and strong vibration is harmful to health. Take breaks from work.
- Do not step on the air hose.
- Wear face and eye protection: it will reduce the danger to a person from fragments, shavings in an extreme case.
- Wear respirators or mouth protection. Using the correct breathing protection will help prevent inhalation of metal dust, which is harmful to your health.
- Never use the tool for other purposes. Accessories flying off the instrument can injure people around you.
- Wear noise canceling headphones. Loud noise can damage your health over time.
- Disconnect the air tool immediately if you experience any irregularities.

SPECIFICATIONS

RP7414

Max Working Pressure	90PSI (6.3Bar)
Square Drive	1/4"
Bolt Size	5/16" (8mm)
No Load Speed	240RPM
Working torque	36Nm
Air Inlet	1/4"
Air Hose(ID)	10mm (3/8")
Avg Air Consumption	77l/min
Net Weight	1.1kgs
Sug. Air Comp	1HP
Overall Length	200mm

COMPONENT PARTS



1. AIR INLET
2. TRIGGER
3. 1/4" SQUARE DRIVE HEAD
4. LEFT/RIGHT SWITCH



TROUBLESHOOTING

The following chart lists common issues and solutions. Please read it carefully and follow all instructions closely

Critical failures	Limit State Criteria	Elimination methods
The tool works fine, but under load the rotation speed drops, the tool overheats	<ol style="list-style-type: none"> 1. Worn out motor parts 2. Worn or stuck cam clutch due to lack of lubrication 	<p>Check for the presence of oil in the oil additive. The level should be no higher than half the container. Excessive lubrication can lead to braking of fast moving parts.</p> <p>NOTE: Overheating is usually caused by a lack of lubrication. Under heavy use, the usual amount of grease may not be enough.</p>
The tool is running slowly. Some air comes out of the outlet	<ol style="list-style-type: none"> 1. Motor parts are clogged with dirt particles. 2. Regulator in closed position 3. Air flow is blocked by contamination 	<p>Check inlet filter for clogging Fill the inlet of the tool with lubricating oil according to the instruction manual Operate the tool by changing the direction of rotation if possible Repeat the above procedures as needed. If there is no result, contact the service center</p>
The tool does not work. Air escapes freely from the outlet	Air actuator rotating parts blocked by accumulated dirt	<p>Fill the inlet of the tool with lubricating oil according to the instruction manual Operate the tool by changing the direction of rotation if possible Tap the body gently with a rubber mallet Disconnect the air supply. Free the shaft and rotate it if possible</p>
The instrument does not turn off	Valve seals are out of order	Replace valve seals



EU DECLARATION OF CONFORMITY				UK DECLARATION OF CONFORMITY
1.	PRODUCT(S) COVERED BY THIS DECLARATION:	Product: UK Product Code No. EU Product Code No. Factory Reference No.	1/4" AIR RATCHET WRENCH RP7414 RP7414 RP7414	Batch/PO No. RP220718-HB-2
2.	IDENTIFICATION DETAILS OF MANUFACTURER:	Name: Address: Country:	Yellow and Black Tools Ltd. (T/A: JCB Tools) Unit 55 Romsey Industrial Estate, Greatbridge Road Romsey, Hampshire SO51 0HR UK	
	AUTHORISED REPRESENTATIVE:	Name: Address: Country:	Trade House Forsage Instrument Pol Sp. z o. o, 15-561, Grodecka 1A, Biakystok, Polska. Poland	
3. THIS DECLARATION OF CONFORMITY IS ISSUED UNDER THE SOLE RESPONSIBILITY OF THE MANUFACTURER				
4.	OBJECT OF THE DECLARATION:	Product: Function:	1/4" AIR RATCHET WRENCH General engine repair, home projects, and light industrial applications	
5i.	THE OBJECT OF THE DECLARATION DESCRIBED IN POINT 4 IS IN CONFORMITY WITH THE RELEVANT UNION HARMONISATION LEGISLATION:	2006/42/EC	The Machinery Directive	
5ii.	THE OBJECT OF THE DECLARATION DESCRIBED IN POINT 4 IS IN CONFORMITY WITH THE RELEVANT UK STATUTORY INSTRUMENTS:	2008 No. 1597	The Supply of Machinery (Safety) Regulations 2008	
6.	REFERENCES TO THE RELEVANT HARMONISED SAFETY STANDARDS USED OR REFERENCES TO THE OTHER TECHNICAL SPECIFICATIONS IN RELATION TO WHICH CONFORMITY IS DECLARED:	EN ISO 11148-6-2012	Hand-held non-electric power tools - Safety requirements - Part 6: Assembly power tools for threaded fasteners	
7.	ADDITIONAL INFORMATION, THE TECHNICAL DOCUMENTATION FOR THE MACHINERY IS AVAILABLE FROM:	Name: Address: Country:	N/A	
SIGNED FOR AND ON BEHALF OF:		YELLOW AND BLACK TOOLS LTD. ROMSEY, UK. 12/06/2023 JAMES BINGHAM OPERATIONS DIRECTOR 		
PLACE OF ISSUE:				
DATE OF ISSUE:				
NAME:				
FUNCTION:				
SIGNATURE:				



WARRANTY STATEMENT

JCB Power Tools are guaranteed against manufacturing defects for 3 year. Proof of purchase required. This does not affect your statutory rights.

To register your JCB Power Tool, please visit: jcb-tools.com

Warranty cover commences from the date of purchase on the retail sales receipt and is valid only for JCB Tools products bearing the CE and UKCA mark and a visible serial number.

In the unlikely event your JCB Power Tool is subject to a manufacturing fault within the warranty period, JCB Tools may repair the product by replacing defective parts free of charge at our discretion. In the event parts are irreplaceable JCB Tools may replace your product free of charge. The original product will remain the property of JCB Tools in this situation.

The above repair or replacement of products will be undertaken providing that:

- › The product has been subject to fair wear and tear only.
- › The product has not been subject to accidental or cosmetic damage.
- › The product has not been misused and has been used only in accordance with the instruction manual provided.
- › The product has not been subject to overload or insufficient servicing and maintenance.
- › The product has not been subject to any abnormal environmental conditions or inappropriate operating conditions.
- › Repairs have not been attempted by an unauthorised person and no modifications have been made to the product.
- › Repairs have not been undertaken using non-genuine spare parts.

JCB Power Tools used for Hire Fleets or as part of B2B and Service Contracts are not covered by these terms and conditions.

JCB Tools 3 Year Warranty excludes the following (where applicable):

- Components normally subject to wear such as carbon brushes.
- Batteries, Chucks and Chargers.
- Accessories and consumable items.
- Cases and tool storage products.

If your product develops a fault within 30 days of purchase, return it to the retailer where it was purchased together with your sales receipt. If a product develops a fault after 30 days a warranty claim must be submitted.

JCB TOOLS WILL NOT BE LIABLE FOR ANY INJURIES OR CONSEQUENTIAL DAMAGES RESULTING FROM USE OF THIS PRODUCT.



EU IMPORTER:

Trade House Forsage Instrument
Pol. Sp. z o.o. 15-561, Gródecka 1A,
Białystok, Polska.

EAC CE



DOWNLOAD YOUR INSTRUCTION MANUAL

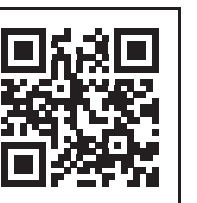
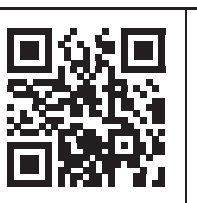
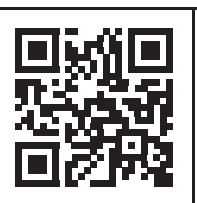
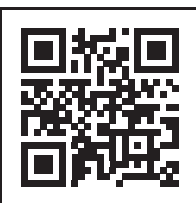
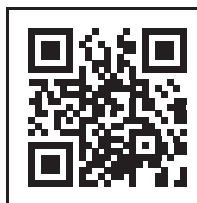
AE

BG

DE

ES

FR



HU

PL

RU

TR

