

## A612

Original Instructions

IM-A612-EN  
Iss: 07/2023



# GENERAL WARNINGS & DISPOSAL



To reduce the risk of injury, the user must read the instruction manual.



This symbol is used throughout this manual to warn the user about potential risks. Please read & understand these sections before using the device.



Caution! Wear ear-muffs. The impact of noise can cause damage to hearing.



Caution! Wear protective safety gloves.



Caution! Wear safety goggles. Sparks generated during working or splinters, chips and dust emitted by the device can cause loss of sight. wood and other materials. Never use the device to work on any materials containing asbestos!



Caution! Wear a breathing mask. Dust which is injurious to health can be generated when working on wood and other materials. Never use the device to work on any materials containing asbestos!

The month and year of manufacture can be found within the product serial number e.g. MMYYPXXPAXXXXXX. Where production month (MM) and production year (YY) are included.

# Contents

|                           |     |
|---------------------------|-----|
| INTRODUCTION              | 4   |
| SPECIFICATION             | 4   |
| COMPONENT PARTS           | 5   |
| GENERAL SAFETY RULES      | 6   |
| SET UP                    | 6   |
| OPERATION                 | 7   |
| BATTERY REPLACEMENT       | 7   |
| TROUBLESHOOTING           | 7   |
| WARRANTY STATEMENT        | 8-9 |
| DECLARATION OF CONFORMITY | 10  |

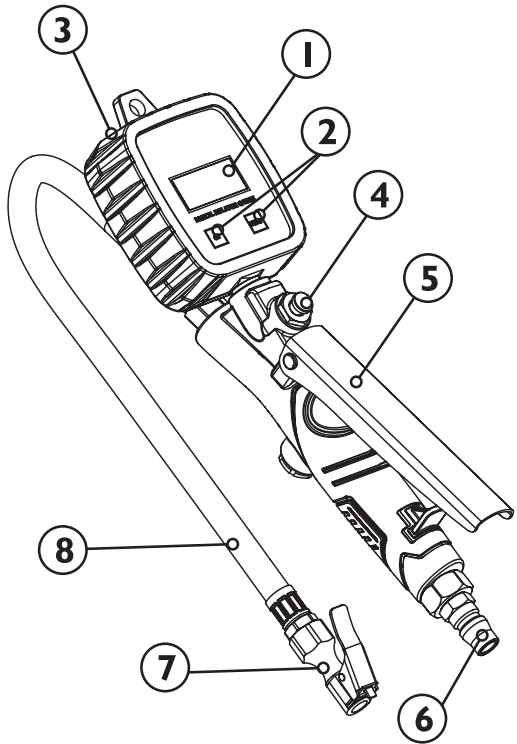


## INTRODUCTION

Before attempting to use this product, please read this manual thoroughly and follow the instructions carefully. In doing so you will ensure the safety of yourself and that of others around you, and you can look forward to your purchase giving you long and satisfactory service. Please keep these instructions in a safe place for future reference.

## SPECIFICATION

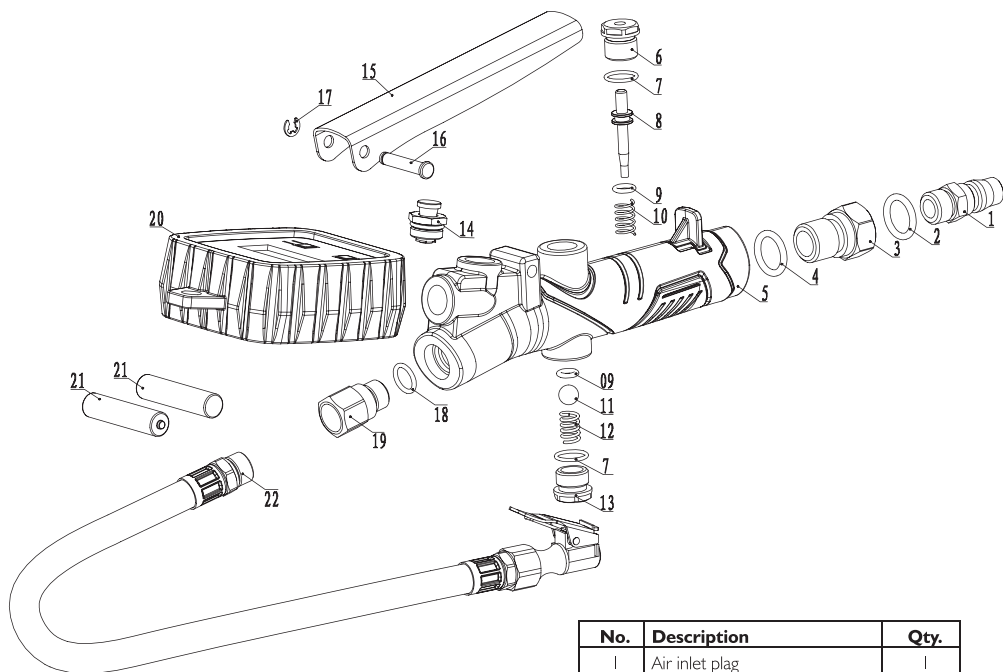
|  |                                   |
|--|-----------------------------------|
| Gauge calibrated:  | 0-203 PSI<br>(0 to 14 bar)        |
| Readout Resolution   | 0.1 psi                           |
| Temperature Range  | -18°C- 40° C                      |
| Air Inlet  | 1/4"                              |
| Units of measure   | psi, bar, kPa, kg/cm <sup>2</sup> |
| Accuracy   | ± 1%                              |
| Battery Requirements:  | 2x AAA included                   |
| Easy to read gauge:  | 2.5"                              |
| Clip-on air chuck to provide secure connection during tire inflation |                                   |
| 3 functions: inflation, deflation and tire pressure measurement      |                                   |
| Pressure release valve on handle for tire deflation                  |                                   |
| Gauge encased in a rubber protector                                  |                                   |
| 14" flexible rubber hose resistant to grease and oils                |                                   |



1. 2.5" LCD BACKLIT DISPLAY
2. ON & FUNCTION BUTTONS
3. SHOCK PROTECTION COVER
4. VALVE RESET BUTTON
5. METAL SWITCH
6. AIR INLET 1/4" NPT QUICK FIT MALE
7. NOZZLE
8. RUBBER HOSE



# COMPONENT PARTS



| No. | Description           | Qty. |
|-----|-----------------------|------|
| 1   | Air inlet plug        | 1    |
| 2   | O-ring 8.5x1.8        | 1    |
| 3   | Air inlet screw seat  | 1    |
| 4   | O-ring 13.2x2.65      | 1    |
| 5   | Housing               | 1    |
| 6   | Trigger seat          | 1    |
| 7   | O-ring 8.5x1.5        | 2    |
| 8   | Trigger lever         | 1    |
| 9   | O-ring 5.2x1.8        | 2    |
| 10  | Trigger spring        | 1    |
| 11  | Steel ball            | 1    |
| 12  | Compression spring    | 1    |
| 13  | Block Seat            | 1    |
| 14  | Release assembly      | 1    |
| 15  | Trigger               | 1    |
| 16  | Trigger pin           | 1    |
| 17  | Retaining ring        | 1    |
| 18  | O-ring 9x1.8          | 1    |
| 19  | Air outlet screw seat | 1    |
| 20  | Digital assembly      | 1    |
| 21  | Battery               | 2    |
| 22  | Air hose assembly     | 1    |

## GENERAL SAFETY RULES

Thoroughly read and understand this instruction manual before use. Save manual for future reference to safety warnings, maintenance and operating procedures. Failure to follow all warnings can result in tool damage or serious physical injury.

### CAUTIONS

- › Do not exceed 130 psi [9 bar] or permanent damage to the unit will occur.
- › Do not exceed the rated inflation pressure of a tire or violent explosion could occur resulting in serious injury or death.
- › Do not use to inflate dry-rotted or damaged tires or violent explosion could occur resulting in serious injury or death.

### CAUTION!

- › Keep the inflator dry. Exposure to moisture can damage the precision electronics inside.
- › Keep the inflator away from electromagnetic interferences and fields.
- › Avoid dropping or bumping the Inflator.
- › Do not place the tire pressure gun near the fire source or high temperature to prevent the battery from exploding when heated;
- › When use this tool, hold the tool so that the muzzle is not pointing towards the operator or any other person or animals.
- › Wear safety glasses with side shields when operating the tool/compressor and verify that others in the work area are also wearing safety glasses.

The JCB Digital Tire Pressure Gauge/inflator is engineered and built to provide rugged reliability with a high degree of accuracy.

Precise pressure readout in increments of 0.1 psi deliver the close tolerances required in racing applications. The full rubber encapsulation provides shock-proof protection and comfortable ergonomics.

## SET UP

- › Turn the inflator “ON” by depressing and releasing the “ON” button (Fig A). The Digital Display will read 0.0
- › Select the desired units of pressure measurement by depressing and holding in the “FUNC” button for 3 seconds, until the units change. (The “Units” indicator will appear to the right of the 0.0}. Repeat the procedure until the desired units are achieved (psi, bar, kpa or kg/cm<sup>2</sup>). Release the button.
- › Inflate without operation or pressure for 60 seconds, the pressure gauge will automatically shut down.



Fig A

## OPERATION

- › Connect air supply to the Inflator.
- › Depress the Thumb Lever and attach the Fill Fitting to the valve stem. Release Thumb Lever to allow clamp to latch onto valve stem
- › Depress the Fill Lever fully to release air into tire.
- › Release Fill Lever fully and read pressure in Digital Display.
- › If pressure goes higher than desired, depress the Fill Lever half-way to bleed off pressure until proper pressure is achieved.
- › Depress the Thumb Lever once again to release clamp and pull Fill Fitting from valve stem.

## BATTERY REPLACEMENT

- › Remove Battery Cover at left rear of gauge housing by pushing in and release plastic latch.
- › Remove Batteries.
- › Replace Batteries.

## TROUBLESHOOTING

- › B-Lo appears on display: This indicates that the battery power is low. The inflator will still function but batteries should be replaced as soon as possible.
- › Digital display is blank: This indicates that the batteries are dead and require replacement..



# WARRANTY STATEMENT

**JCB Power Tools are guaranteed against manufacturing defects for 3 year. Proof of purchase required. This does not affect your statutory rights.**

**To register your JCB Power Tool, please visit: [jcb-tools.com](http://jcb-tools.com)**

Warranty cover commences from the date of purchase on the retail sales receipt and is valid only for JCB Tools products bearing the CE and UKCA mark and a visible serial number.

In the unlikely event your JCB Power Tool is subject to a manufacturing fault within the warranty period, JCB Tools may repair the product by replacing defective parts free of charge at our discretion. In the event parts are irreplaceable JCB Tools may replace your product free of charge. The original product will remain the property of JCB Tools in this situation.

## **The above repair or replacement of products will be undertaken providing that:**

- › The product has been subject to fair wear and tear only.
- › The product has not been subject to accidental or cosmetic damage.
- › The product has not been misused and has been used only in accordance with the instruction manual provided.
- › The product has not been subject to overload or insufficient servicing and maintenance.
- › The product has not been subject to any abnormal environmental conditions or inappropriate operating conditions.
- › Repairs have not been attempted by an unauthorised person and no modifications have been made to the product.
- › Repairs have not been undertaken using non-genuine spare parts.

JCB Power Tools used for Hire Fleets or as part of B2B and Service Contracts are not covered by these terms and conditions.

**JCB Tools 3 Year Warranty excludes the following (where applicable):**

- Components normally subject to wear such as carbon brushes.
- Batteries, Chucks and Chargers.
- Accessories and consumable items.
- Cases and tool storage products.

If your product develops a fault within 30 days of purchase, return it to the retailer where it was purchased together with your sales receipt. If a product develops a fault after 30 days a warranty claim must be submitted.

JCB TOOLS WILL NOT BE LIABLE FOR ANY INJURIES OR CONSEQUENTIAL DAMAGES RESULTING FROM USE OF THIS PRODUCT.



| EU DECLARATION OF CONFORMITY  |  |  |   | UK DECLARATION OF CONFORMITY |
|---|--|--|---|------------------------------|
| 1.  | PRODUCT(S) COVERED BY THIS DECLARATION:  | Product:<br>UK Product Code No.<br>EU Product Code No.<br>Factory Reference No.                      | AIR TYRE INFLATOR GUN<br>A612<br>A612<br>A612   | Batch/PO No. RP220718-HB-2   |
| 2.  | IDENTIFICATION DETAILS OF MANUFACTURER:  | Name:<br>Address:<br>Country:  | Yellow and Black Tools Ltd. (T/A: JCB Tools)<br>Unit 55 Romsey Industrial Estate, Greatbridge Road<br>Romsey, Hampshire SO51 0HR<br>UK  |                              |
|   | AUTHORISED REPRESENTATIVE:   | Name:<br>Address:<br>Country:  | Trade House Forsage Instrument Pol.<br>Sp. z o. o. 15-561, Grodecka IA, Biakostok, Polska.<br>Poland  |                              |
| 3. THIS DECLARATION OF CONFORMITY IS ISSUED UNDER THE SOLE RESPONSIBILITY OF THE MANUFACTURER         |  |  |   |                              |
| 4.  | OBJECT OF THE DECLARATION:   | Product:<br><br>Function:  | AIR TYRE INFLATOR GUN<br><br>Testing tire pressure, inflating & deflating tires   |                              |
| 5i.   | THE OBJECT OF THE DECLARATION DESCRIBED IN POINT 4 IS IN CONFORMITY WITH THE RELEVANT UNION HARMONISATION LEGISLATION:                                       | 2006/42/EC   | The Machinery Directive   |                              |
| 5ii.  | THE OBJECT OF THE DECLARATION DESCRIBED IN POINT 4 IS IN CONFORMITY WITH THE RELEVANT UK STATUTORY INSTRUMENTS:  | 2008 No. 1597  | The Supply of Machinery (Safety) Regulations 2008   |                              |
| 6.  | REFERENCES TO THE RELEVANT HARMONISED SAFETY STANDARDS USED OR REFERENCES TO THE OTHER TECHNICAL SPECIFICATIONS IN RELATION TO WHICH CONFORMITY IS DECLARED: | EN ISO 12100:2010  | specifies basic terminology, principles and a methodology for achieving safety in the design of machinery. It specifies principles of risk assessment and risk reduction to help designers in achieving this objective. |                              |
| 7.  | ADDITIONAL INFORMATION, THE TECHNICAL DOCUMENTATION FOR THE MACHINERY IS AVAILABLE FROM:   | Name:<br>Address:<br>Country:  | N/A   |                              |
| SIGNED FOR AND ON BEHALF OF:<br>PLACE OF ISSUE:<br>DATE OF ISSUE:<br>NAME:<br>FUNCTION:<br>SIGNATURE: |  | YELLOW AND BLACK TOOLS LTD.<br>ROMSEY, UK.<br>12/06/2023<br>JAMES BINGHAM<br>OPERATIONS DIRECTOR<br> |   |                              |



**EU IMPORTER:**

Trade House Forsage Instrument  
Pol. Sp. z o.o. 15-561, Gródecka 1A,  
Białystok, Polska.

# EAC CE



**DOWNLOAD YOUR INSTRUCTION MANUAL**

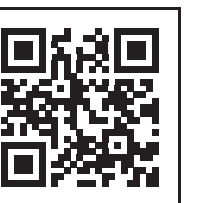
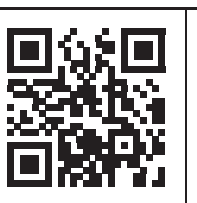
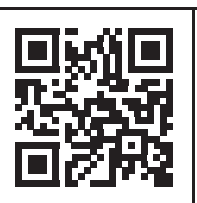
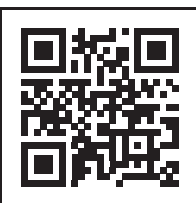
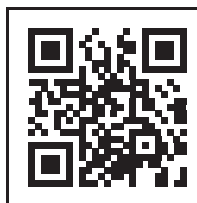
AE

BG

DE

ES

FR



HU

PL

RU

TR

